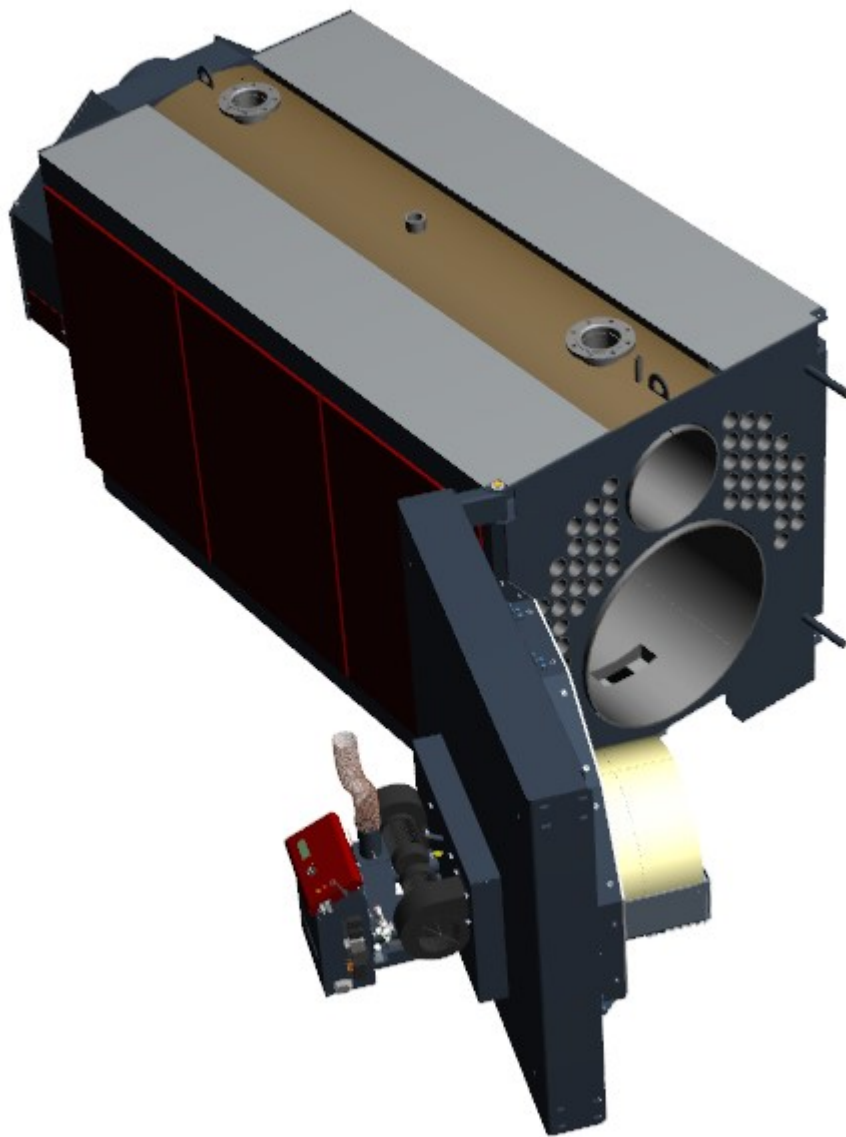


## Pellet boiler PK1000

**Horizontal 3-pass boiler**

**Automatic cleaning of heat exchangers**

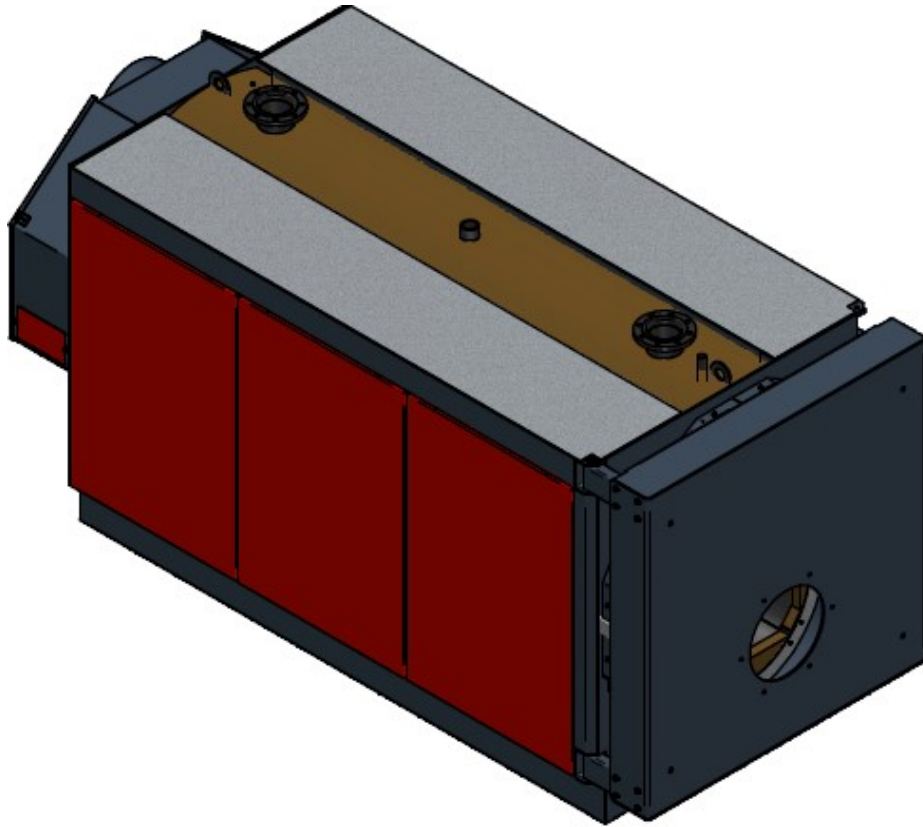
**Designed for using together with PV700 or PV1000 pellet burners**



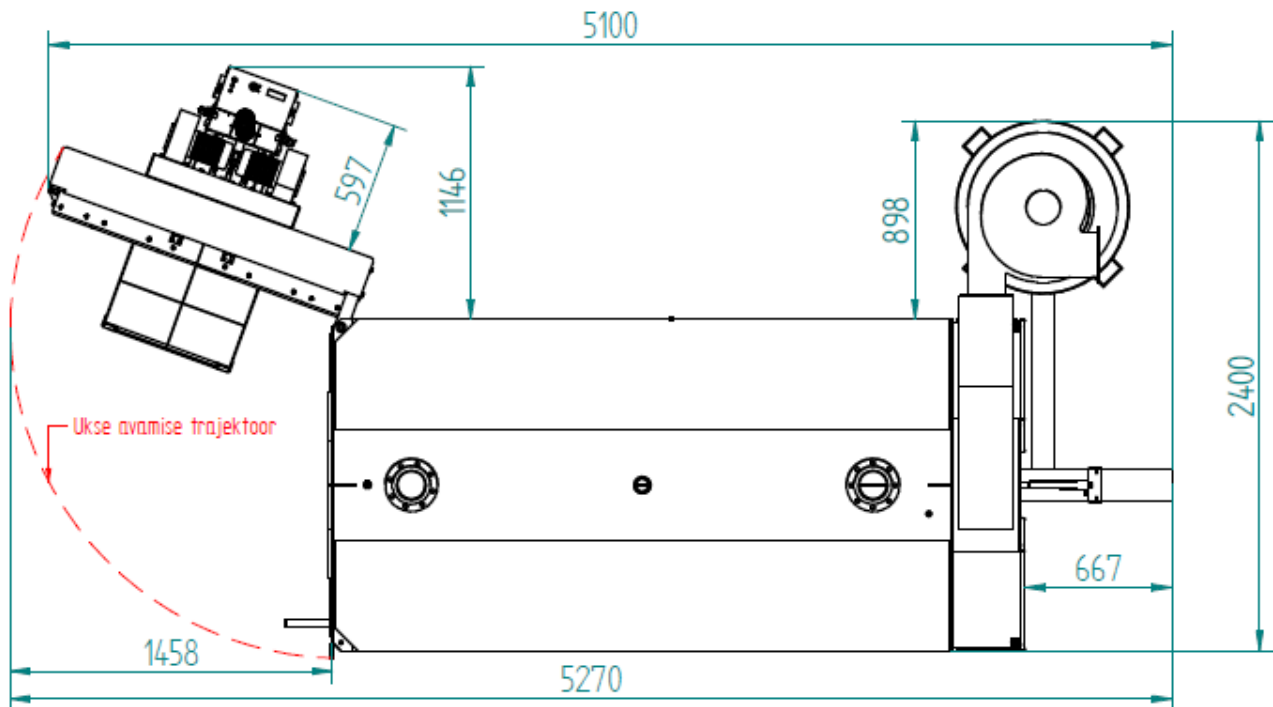
## Technical data

Model	Unit	PK1000
Rated thermal output with PV1000/PV700	kW	940/660
Rated thermal load with PV1000/PV700	kW	1000/700
Boiler class according to EN 303-5		5
Range of ability	%	20 ... 100
Permissible operative pressure	bar	6
Test pressure	bar	9
Boiler's water volume	liter	1850
Pressure drop at flow rate 34 m <sup>3</sup> /h	kPa	35
Hot gas pressure drop	Pa	400
Boiler's weight	kg	3576
Heat exchange surface	m <sup>2</sup>	42,8
Dimensions WxDxH	mm	1500 x 4000 x 1763
Burning chambers diameter	mm	820
Mains supply		3 x 380V, 50Hz
Electrical consumption at ignition PV1000/PV700	W	2100/1100
Electrical consumption at working PV1000/PV700	W	480/380
Electrical consumption at stand by	W	20
Number of turbulators	pcs	50
Flue gas outlet	∅ mm	400
Boiler flow and return connections	pcs	2 x DN125/PN6
Distance between connections	mm	2094
Required safety valve connection	pc	1 x R2"
Flue gas temperature at rated output	°C	150...180
Flue gas amount PV1000/PV700	m <sup>3</sup> /h	<2500/<1750
Efficiency at < 66 % power 75/60 °C	%	94
Efficiency at > 66 % power 75/60 °C	%	93
λ at 20% power		1,7... 1,8
λ at 100% power		1,3
Door opening direction		To left/to right

## General view

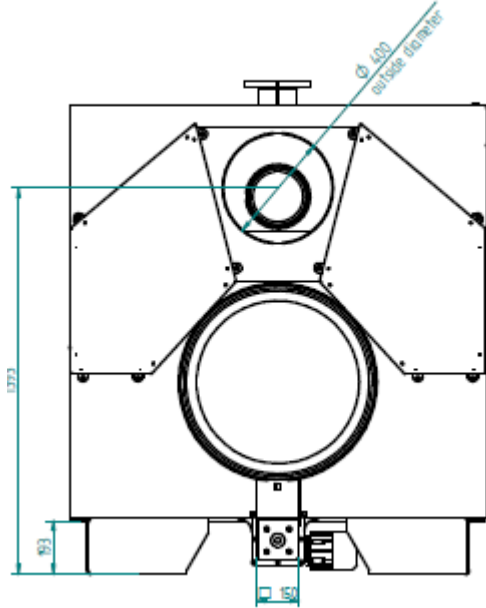


## Door opening trajectory



# Views and measures

Back side of the boiler



Front side of the boiler

